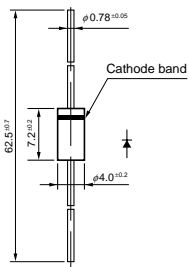
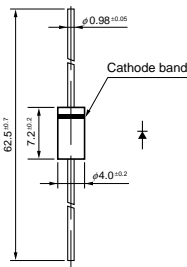




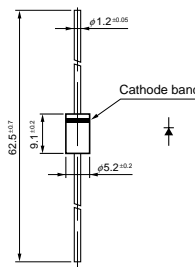
• No. 13 Axial ( $\phi 4.0/\phi 0.78$ )



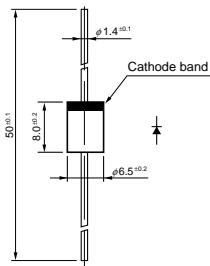
• No. 14 Axial ( $\phi 4.0/\phi 0.98$ )



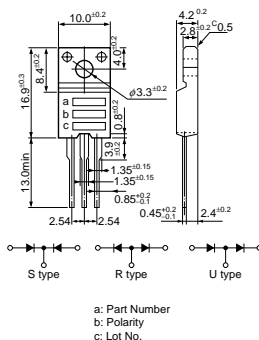
• No. 15 Axial ( $\phi 5.2/\phi 1.2$ )



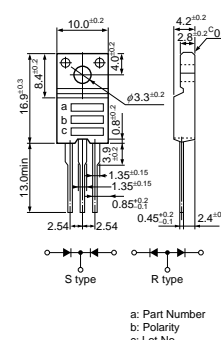
• No. 16 Axial ( $\phi 6.5/\phi 1.4$ )



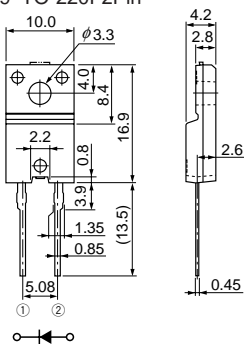
• No. 17 TO-220F (Two Elements)



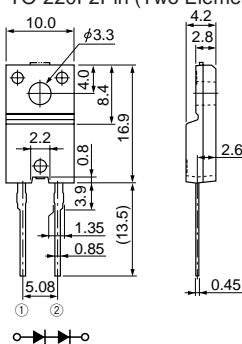
• No. 18 TO-220F (Center-tap)



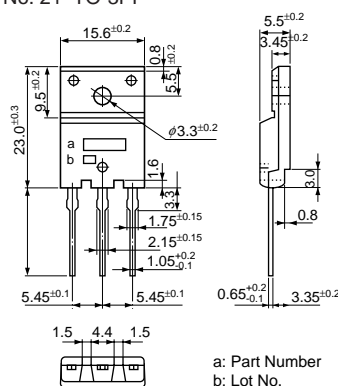
• No. 19 TO-220F2Pin



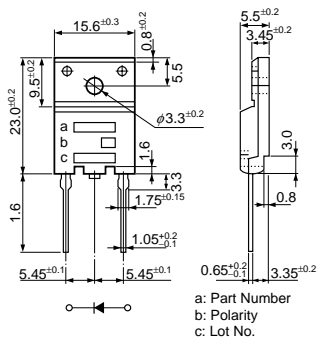
• No. 20 TO-220F2Pin (Two Elements)



• No. 21 TO-3PF



• No. 22 TO-3PF2Pin



• No. 23 RBV-60

